

VARIED

lilu

lilu

shelf

Design: Christian Werner

The concept

Individual panel design and storage space in one

lilu suits every room, from the entrance hall, to the sitting room, to the kitchen, whether it is arranged on its own, above or adjacent to the sideboard or horizontal or vertical.

Whether in individual or stacked form, lilu is an invitation for individual design. And the key attribute: The flexible shelves can always be rearranged at a later date. This not only results in different visuals, but the shelves can also adapt to changed storage space requirements. They can also be moved around easily by hand.

The finely coordinated proportions of the shelves arise due to their lightness and elegance. Together with the new interlücke colour concept – the colours of which can all be combined – three sizes of material thickness and elaborately bevelled edges allow for wall designs which have a relief character due to the stacking of the different shelf depths. The back-lighting – featuring dimming and colour temperature control – lends the shelves yet more depth.

The L shape not only sets beautiful things superbly in scene, it is also an eye-catcher without decoration.

lilu matches with all of the interlücke collections.

Design: Christian Werner



Collection description

The features _____ 4

Colours _____ 6

Planning _____ 8

For price list (PL), see separate catalogue



The features



Three types of shelf in three thicknesses with elaborately bevelled edges.

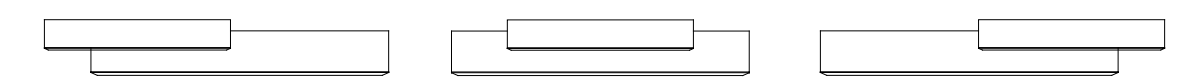


Lightness and elegance with offset depth for the relief-like appearance.

The features



Dimming back-light with colour temperature control.



The flexible shelves can also be easily rearranged at a later date.



Sophisticated: with elegant black fabric cable with special angled plug for the current input as standard, if there is no cable outlet behind the shelf.

Matt lacquers



Individual lacquer/Customised lacquer

Individual lacquer matt without control sample

Order your custom colour as a matt lacquer based on the Caparol Icons, NCS, RAL and Sikkens colour fans.

Interlübke processes the order without sending you a control sample. This rule only applies for matt lacquer, not neon or metallic colours.

Except for colours with a high luminosity (neon) such as metallic- and pearl effects.

Customised lacquer with control sample

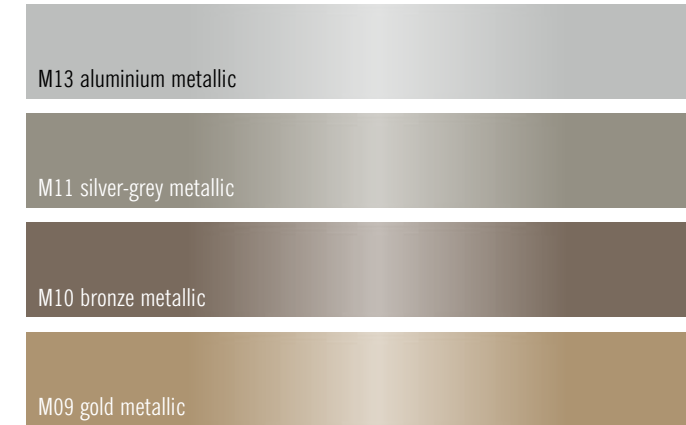
Choose your colour on the basis of the Caparol Icons, NCS, RAL and Sikkens colour fans or your own sample (minimum size DIN A4) and Interlübke will produce the lacquer for you after approval of the control sample.

Except for colours with a high luminosity (neon) such as metallic- and pearl effects.

These rules apply to all high-gloss surfaces and customer colours. The delivery date is set once the sample has been approved.

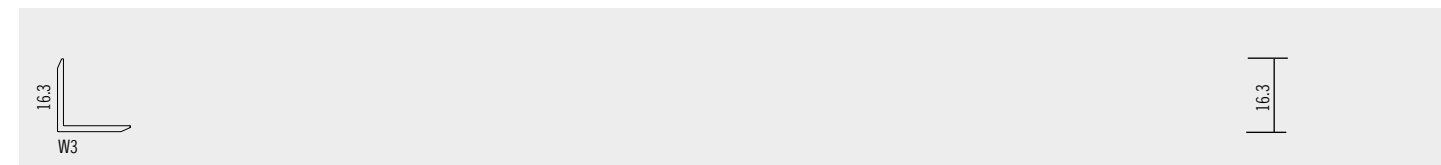
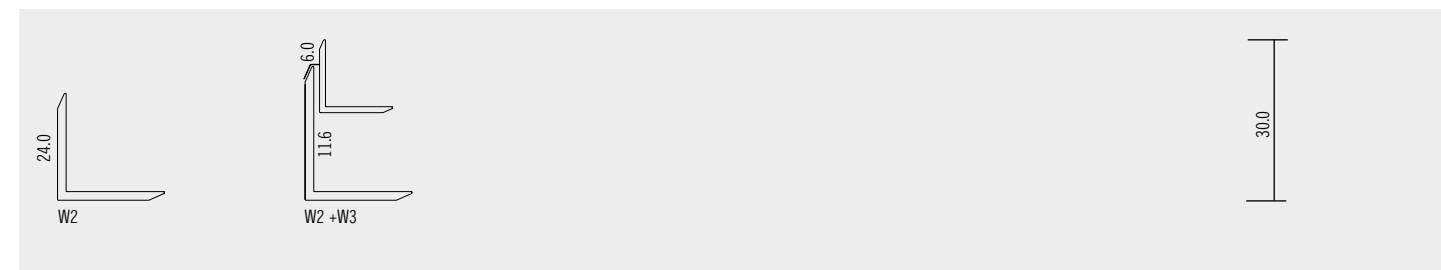
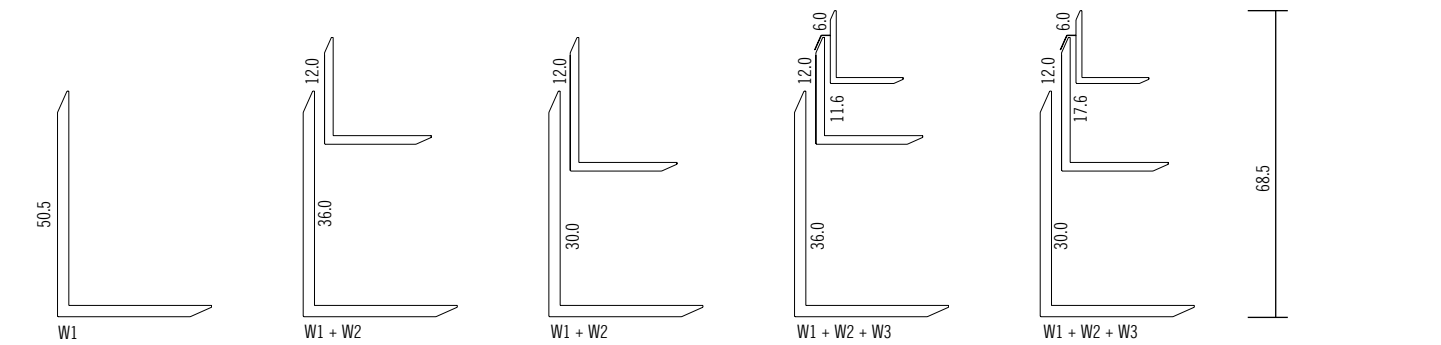
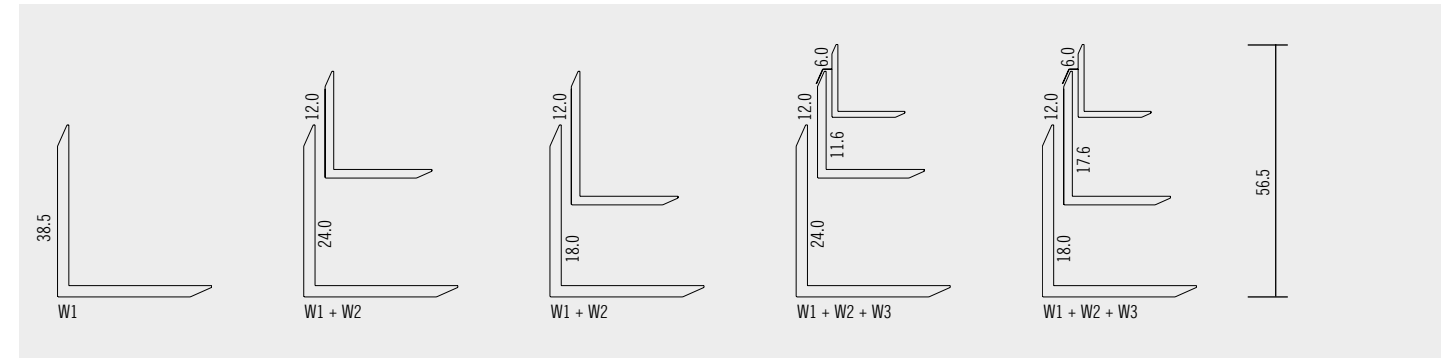
For details about individual and customised lacquer, see page 2 of the price list.

Metallic matt lacquers



Planning and dimensions overview

possible shelf combinations

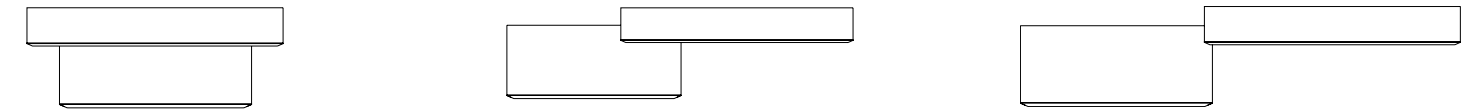


Planning and dimensions overview

Overhangs, movability

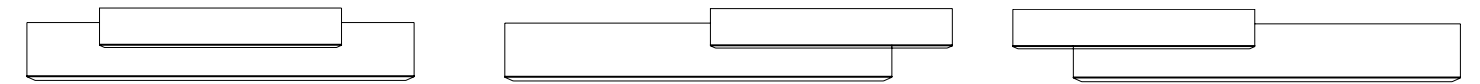
W2 in front of W1

- W2 can be wider than W1
- The overhang of W2 over W1 can be freely chosen



W3 in front of W2

- width W2 ≥ W3 (W2 must be at least as wide as W3 or wider)
- max. 1/4 of the W3 width is able to exceed W2



Subsequent movability of the shelves to the left or right (dimensions in cm)

Shelf width in cm	W2 movable in front of W1 and in front of wall	W3 movable in front of wall	W3 movable in front of W2 = max. lateral overhang of W3 over W2
40	-	0	10.0
60	0	5.0	15.0
80	5.0	10.0	20.0
100	10.0	12.5	25.0
120	12.5	15.0	30.0
140	-	17.5	35.0
160	15.0	-	-
180	-	-	-
200	20.0	-	-
240	25.0	-	-

- max. lateral overhang is 1/4 of the width of W3

W3 may not be wider than W2